

Clarke® WOODWORKER

FOLDING WORKBENCH

Model No. CFB600



CE ASSEMBLY INSTRUCTIONS

1299

Thank you for purchasing this CLARKE Folding Workbench.

Although this product is of rugged construction, it should nevertheless be used with care and consideration, and the precautions closely followed. You can then look forward to it giving long and reliable service. Immediately on unpacking the product, please refer to the parts list and satisfy yourself that all parts are present. Should there be any deficiency, then you should immediately contact your Clarke dealer, or CLARKE INTERNATIONAL Parts Department, on 020 8988 7400

Guarantee

This CLARKE product is guaranteed against faulty manufacture for a period of 12 months from the date of purchase. Your receipt is required as proof of purchase. This guarantee is invalid if the product is found to have been abused in any way, or not used for the purpose for which it was intended.

Faulty goods should be returned to their place of purchase, no product can be returned to us without prior permission. This guarantee in no way affects your statutory rights under common law.

Safety Precautions

- The maximum capacity of this workbench is 100kgs. On no account must this be exceeded.
- Do not stand on the Cross Members or use as a step ladder, as this could cause severe damage. Do not stand on top of the workbench.
- Take care when placing a load on to the Worktable, It should be placed gently so that the strain is taken up gradually. Do not drop a load carelessly.
- Do not mount power tools on the workbench.
- Always check the workbench for wear, damage or looseness of parts before use.
- Always ensure you are working on a firm flat surface, and that the table is completely stable.

Assembly

During assembly, nuts and bolts should be finger tightened only, unless otherwise specified.

1. Lay out all components into their respective groups for easy identification.
2. Lay the two leg sections on their sides, approx. 18" apart so that the feet ends are splayed outwards away from each other, the long, unhinged side stays, are on the inside facing each other.

Affach one of the Cross Members by sliding each end in turn over each of the leg sections. ensuring that the large face of the cross member is uppermost, (i.e. facing you), and the edge containing slots and holes, is facing the top of the legs. (i.e. the open end of the cross member is facing the feet).

Insert the four bolts (item 9) through the cross member and legs, and fit washers and nuts (items' 13 and 10) on the inside. Turn over the assembly and attach the other cross member as above. Do not fully tighten nuts at this stage.

3. Attach the four Plastic Feet (item 6), to the Leg Frames (item 5), by pushing them over the end of each leg, so that the longest corner of each foot is at the outer corner of the leg. This ensures that the feet lie flat when the workbench legs are opened fully.
4. Place the two Worktops (item 1) face down and side by side, so that the pre-drilled holes to accommodate the mounting bracket screws, are uppermost, and the notches in the sides of each Worktop, face towards the centre.
5. Place both Slide Bases (item 2) on top of, and across, the assembled Worktops, so that the screw holes in the mounting brackets are over the pre-drilled screw holes in the Worktops, and the adjusting handles are facing the same direction. Screw down firmly, using the 16 woodscrews provided (item 8)
6. The Worktop Assembly can now be connected to the Leg Assembly as follows:

Open the legs so that the four feet lie flat on the ground, by pressing down on the side stays until they lock, i.e. they go just over centre.

Lower the Worktop assembly on to the Leg assembly so that the tops of the legs are inserted into the underside of the Slide Bases.

IMPORTANT: Ensure that the Vice Handle side of the worktop, is on the same side as the SHORT section of the hinged stay on the leg assembly.

Line up the holes in the Slide Bases with those in the tops of each leg, and insert the four 8x45 mm bolts (item 3) with four 8mm washers (item 7) from the outside, and secure with locknuts (item 11) and washers (item 7) on the inside. (i.e. you must ensure that a flat washer lies next to the bolt head on the outside, and the locknut on the inside).

NOTE: This method of assembly must be followed to ensure the stability of the workbench. To double check that assembly is correct, the vice handles should be uppermost when the table is folded.

IMPORTANT:

Do not overtighten the locknuts (item 11), as the bolts provide pivot points for the workbench when folding and unfolding. The Slide Bases should not be pinched in any way.

7. Ensuring the workbench is fully opened, rock the unit gently to ensure there are no distortions, and that no part is under stress, then tighten the Cross Member nuts securely, being careful not to overtighten.
8. Tap the Workpiece Holders (item 12) into convenient holes in the Worktop. These may be positioned at any location to suit the work being clamped.

Your Folding Workbench is now ready for use.

Using Your Folding Workbench

To prepare the unit for work, first ensure you are on a firm flat surface. Open the legs, and push down on both side stays until they go over centre and lock. Test the stability of the table by rocking it vigorously. To close the unit, pull up on each side stay, and bring the legs together.

Each end of the moveable vice jaw can be moved independently, thereby allowing tapered work to be gripped, and when used in conjunction with the vice pegs, large and irregular shaped work may be accommodated.

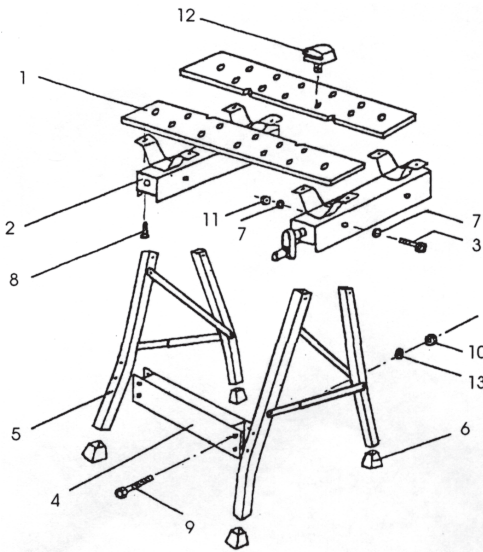
NOTE: The vice jaws are capable of exerting considerable force. Be extremely careful therefore when clamping your work. Use only that force which is necessary.

The vice pegs are grooved along their length, allowing round or tubular work to be held, such as dowels, tubes etc.

It may be necessary to steady the workbench whilst working, by placing a foot or a weight, such as a sand bag or similar, on to a cross member. Take care not to use excessive force or weight, as serious damage can result.

Parts List & Diagram

No.	Description	Qty	Part No.
1	Worktop	2	GD10001
2	Slide Base	2	GD10002
3	BoltHex	4	GD10003
4	Cross Members	2	GD10004
5	Leg Frame	2	GD10005
6	Plastic Feet	4	GD10006
7	Flat Washer	8	GD10007
8	Wood Screws	16	GD10008
9	Bolts	8	GD10009
10	Nuts 6mm	8	GD10010
11	Locknut 8mm	4	GD10011
12	Vice Pegs	4	GD10012
13	FlatWashers	8	GD10013



For Parts and Service, please contact your nearest dealer, or CLARKE International, on one of the following numbers.

PARTS & SERVICE TEL: 020 8988 7400
PARTS & SERVICE FAX: 020 8558 3622